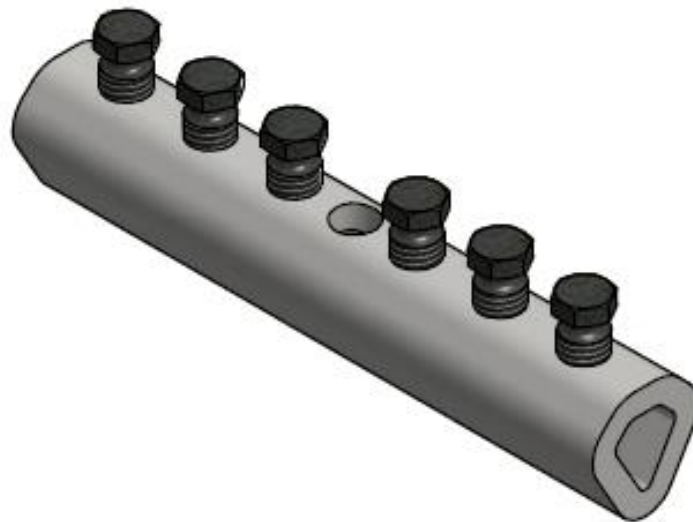


COMMERCIAL DOCUMENTATION



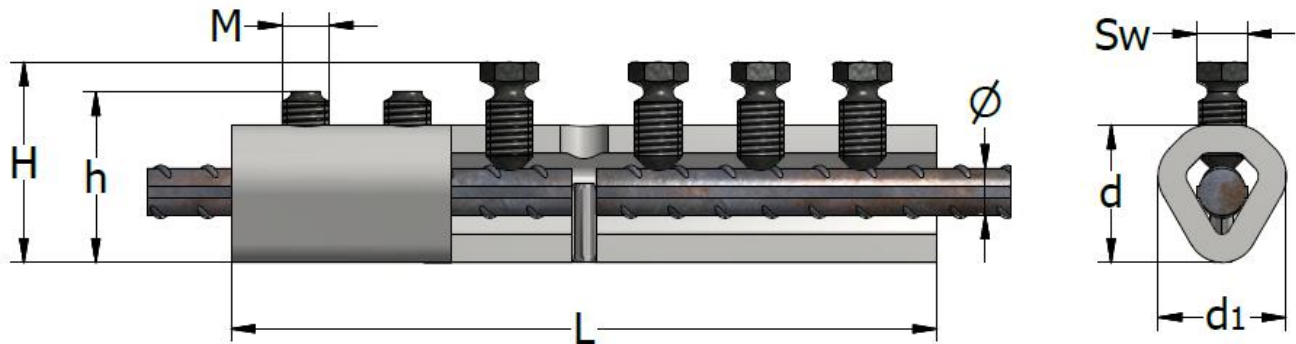
ALLIGATOR COUPLERS | **ALC ALLIGATOR COUPLING**



ALLIGATOR COUPLING – ALC

The ALLIGATOR COUPLING ALC is used for the connection of reinforcing bars of the same size. The product has a pin and an inspection hole in the middle for correct installation. The breaking bolts are designed to shear off at the torque moment specified in the table below.

Tighten the bolts using a torque wrench, an impact, electric or pneumatic wrench.



Type ALC	Product no.	Rebar Ø [mm]	Breaking bolt		Breaking bolt thread M	L [mm]	d [mm]	d1 [mm]	H Unruptured Bolt [mm]	h [mm]	SW [mm]	Torque moment [Nm]
			n	Product no.								
10	44633	10	6	50685-1	M12	160	33	34	Max. 46	36	13	95-115
12	44634	12	6	50685-1	M12	180	33	34	Max. 49	39	13	95-115
14-16	43071	14/16	8	50685-1	M12	230	37	38	Max. 55/57	45/47	13	95-115
18	43072	18	10	50685-1	M12	280	44	42	Max. 59	49	13	95-115
20-22	65681	20/22	10	50686-1	M16	290	50	50	Max. 63/67	51/55	17	190-215
25	43075	25	12	50686-1	M16	390	55	54	Max. 72	60	17	190-215
26	63079	26	12	52295	M20	420	63	62	Max. 83	68	22	355-415
28	43076	28	12	52295	M20	420	63	62	Max. 85	70	22	355-415
30	63080	30	14	52295	M20	480	70	69	Max. 87	72	22	355-415
32	43077	32	14	52295	M20	480	70	69	Max. 92	77	22	355-415
36	43078	36	16	52295	M20	540	77	74	Max. 99	84	22	355-415
40	43079	40	18	52295	M20	580	76	74	Max. 101	86	22	355-415

CONTACT



TERWA is the global supplier for precast and construction solutions with multiple offices around the world. With all our staff, partners and agents, we are happy to provide all construction and precast companies who work in the building industry with full service and 100% support.

TERWA CONSTRUCTION GROUP

Terwa Construction Netherlands (HQ)

Global Sales & Distribution
Kamerlingh Onneslaan 1-3
3401 MZ IJsselstein
The Netherlands
T +31-(0)30 699 13 29
F +31-(0)30 220 10 77
E info@terwa.com

Terwa Construction Central East Europe

Sales & Distribution
Strada Sânzieni
507075 Ghimbav
Romania
T +40 372 611 576
E info@terwa.com

Terwa Construction Poland

Sales & Distribution
Ul. Cicha 5 lok. 4
00-353 Warszawa
Poland
E info@terwa.com

Terwa Construction India & Middle East

Sales & Distribution
India
T +91 89 687 000 41
E info@terwa.com

Terwa Construction China

Sales & distribution
5F 504, No. 101 Chuanchang road
PRC, 200032, Shanghai
China
E info@terwa.com

ALL SPECIFICATIONS CAN BE CHANGED WITHOUT PREVIOUS NOTICE.

DISCLAIMER

Terwa B.V. is not liable for deviations due to wear of the products it has delivered. Neither is Terwa B.V. liable for damage due to inaccurate and/or improper handling and use of the products it has delivered and/or use of same for purposes other than those intended.

Terwa B.V.'s responsibility is furthermore limited in accordance with article 13 of the "Metaalunie" conditions, which are applicable for all Terwa B.V. deliveries. The user is responsible for ensuring compliance with all applicable copyright laws. Without limiting the rights under copyright, no part of this documentation may be reproduced, stored in or introduced into a retrieval system, or transmitted in any form or by any means (electronic, mechanical, photocopying, recording, or otherwise), or for any purpose, without the express written permission of Terwa B.V.